

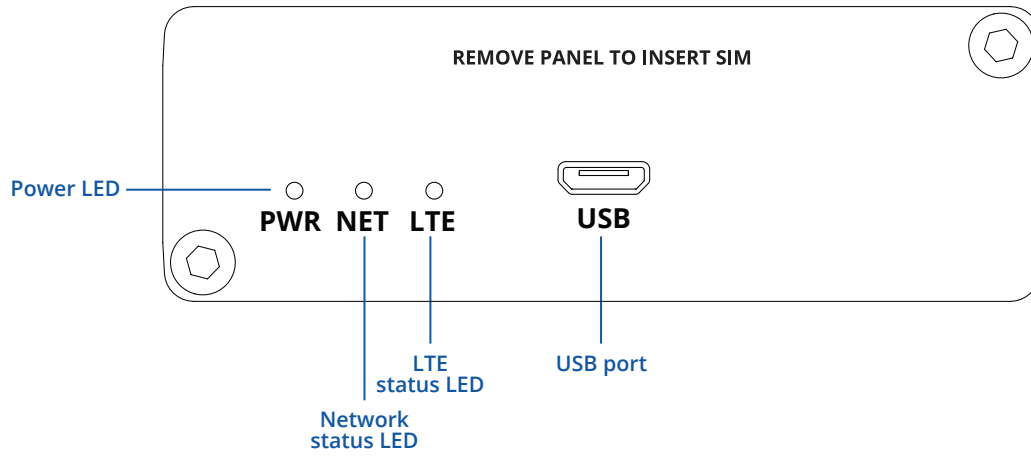


# TRM240

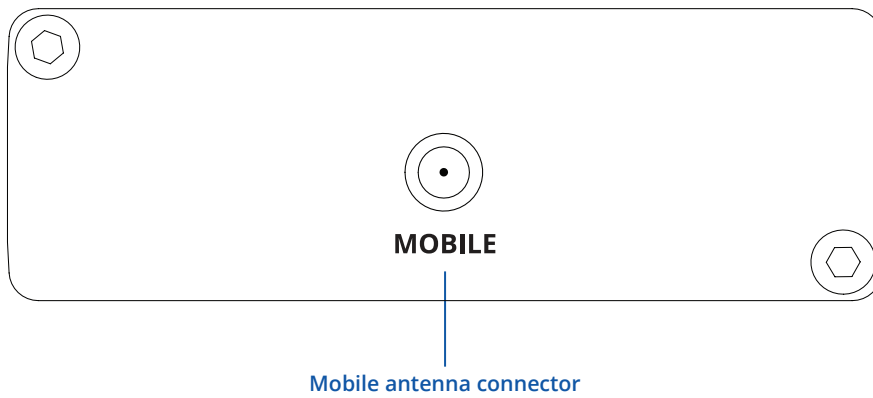


# HARDWARE

## FRONT VIEW



## BACK VIEW



## FEATURES

### HARDWARE

Mobile	LTE (Cat1) / 3G / 2G
SIM slot	Mini SIM (2FF)
Antenna connector	1 x SMA for LTE
Operating Voltage	5V - powered via microUSB
Power consumption	3.2 W Max
Configuration interface	microUSB
LED indicators	Power, Network and LTE status LEDs
Operating temperature	-40 °C to 75 °C
Operating humidity	10 % to 90 % non-condensing
Casing material	Aluminium housing
Ingress Protection Rating	IP30
Dimensions (W x H x D)	74.5 x 25 x 64.5 mm
Weight	131 g

### SOFTWARE

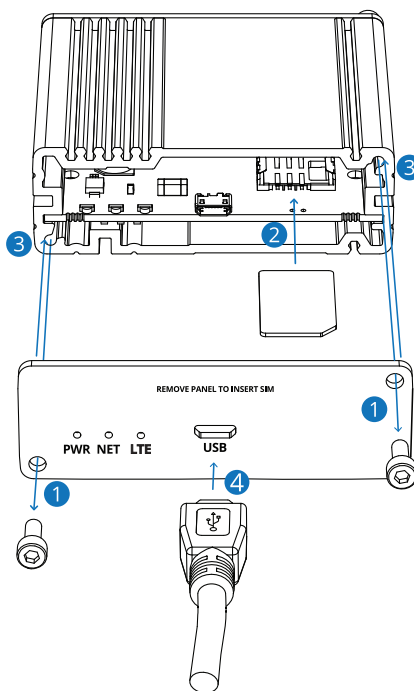
Management software	Windows Connection Manager (NDIS driver)
USB Serial Driver	Windows 7/8/8.1/10, Windows CE 5.0/6.0, Linux 2.6/3.x/4.1~4.14, Android 4.x/5.x/6.x/7.x/8.x
RIL Driver	Android 4.x/5.x/6.x/7.x/8.x
NDIS Driver	Windows 7/8/8.1/10
Gobinet Driver	Linux 2.6/3.x/4.1~4.14
Linux qmi wwan Driver	3.x (3.4 and later)/4.1~4.14
Protocols	TCP/UDP/PPP/FTP(S)/HTTP(S)/NTP/PING/QMI/SSL

### INTERFACES

Management interface	AT Commands (3GPP TS27.007, 3GPP TS27.005) Hayes AT Command set Enhanced AT Commands
----------------------	--

## HARDWARE INSTALLATION

1. Unscrew two back panel hex bolts and remove the back panel.
2. Insert your SIM card into the SIM socket.
3. Attach the panel and tighten the hex bolts.
4. Attach the mobile antenna (max torque 0.4 N·m / 3.5 lbf·in) and connect the USB cable.



### LOGIN TO DEVICE

1. Power on the device by connecting the USB cable to your computer.
2. Allow the modem to boot up. This might take up to 30 seconds.
3. Install the correct drivers according to the system you are using. You can download the drivers by following DRIVER DOWNLOAD link below.
4. After you have installed the drivers, visit our configuration information page by following CONFIGURATION link.
5. For advanced users you can find all the information about AT commands by following AT COMMANDS link.

 DRIVER DOWNLOAD  
[https://wiki.teltonika-networks.com/view/TRM240\\_Downloads](https://wiki.teltonika-networks.com/view/TRM240_Downloads)

 CONFIGURATION  
[https://wiki.teltonika-networks.com/view/TRM240\\_Configuration\\_Examples](https://wiki.teltonika-networks.com/view/TRM240_Configuration_Examples)

 AT COMMANDS  
[https://wiki.teltonika-networks.com/view/TRM240\\_AT\\_Commands](https://wiki.teltonika-networks.com/view/TRM240_AT_Commands)

### TECHNICAL INFORMATION

Radio specifications	
RF technologies	2G, 3G, 4G (LTE Cat1)
Max RF power	33 dBm@GSM, 24 dBm@WCDMA, 23 dBm@LTE
Bundled accessories specifications*	
Mobile antenna	698~960/1710~2690 MHz, 50 Ω, VSWR<3, gain** 3 dBi, omnidirectional, SMA male connector

\*Order code dependent.





\*\*Higher gain antenna can be connected to compensate for cable attenuation when a cable is used. The user is responsible for the compliance with the legal regulations.

## WHAT'S IN THE BOX?

### STANDARD PACKAGE CONTAINS

- TRM240
- 1 x LTE antenna (swivel, SMA male)
- Micro-USB cable (0.8 m)
- 1 x hex key
- QSG (Quick Start Guide)
- Packaging box



 <p>TRM240</p>	 <p>1 X LTE ANTENNA (SWIVEL, SMA MALE)</p>	 <p>MICRO-USB CABLE (0.8 M)</p>
 <p>1 X HEX KEY</p>		

## STANDARD ORDER CODES

### PRODUCT CODE

TRM240000000

### PACKAGE CONTAINS

Standard Package

For more information on all available packaging options – please contact us directly.

## AVAILABLE VERSIONS

### PRODUCT CODE

### REGION (OPERATOR)

### FREQUENCY

TRM240 0\*\*\*\*\*

EMEA, Korea, Thailand

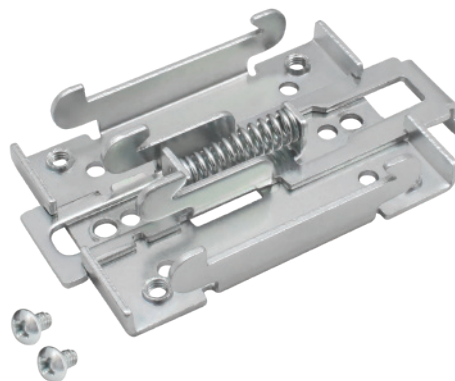
- 4G (LTE-FDD): B1, B3, B7, B8, B20, B28A
- 3G: B1, B8
- 2G: B3, B8

The price and lead-times for region (operator) specific versions may vary. For more information please contact us.  
\* - Versions for other regions are under development.

## MOUNTING OPTIONS

### DIN RAIL KIT

Parameter	Value
Mounting standard	35mm DIN Rail
Material	Low carbon steel
Weight	57g
Screws included	Philips Pan Head screw #6-32×3/16, 2pcs
Dimensions	82 mm x 46 mm x 20 mm
RoHS Compliant	V



#### DIN RAIL KIT

- DIN Rail adapter
- Philips Pan Head screw #6-32×3/16, 2pcs for RUT2xx/RUT9xx

#### ORDER CODE

PR5MEC00

#### HS CODE

73269098

#### HTS CODE

7326.90.98

For more information on all available packaging options – please contact us directly.

### COMPACT DIN RAIL KIT

Parameter	Value
Mounting standard	35mm DIN Rail
Material	ABS + PC plastic
Weight	6.5 g
Screws included	Philips Pan Head screw #6-32×3/16, 2pcs
Dimensions	70 mm x 25 mm x 14,5 mm
RoHS Compliant	V



#### DIN RAIL KIT

- Compact plastic DIN Rail adapter (70x25x14,5mm)
- Philips Pan Head screw #6-32×3/16, 2pcs

#### ORDER CODE

PR5MEC11

#### HS CODE

73269098

#### HTS CODE

7326.90.98

For more information on all available packaging options – please contact us directly.

### SURFACE MOUNTING KIT

Parameter	Value
Mounting standard	Flat surface mount
Material	ABS + PC plastic
Weight	2x5 g
Screws included	Philips Pan Head screw #6-32×3/16, 2pcs
Dimensions	25 mm x 48 mm x 7.5 mm
RoHS Compliant	V



#### DIN RAIL KIT

- Surface mounting kit
- Philips Pan Head screw #6-32×3/16, 2pcs

#### ORDER CODE

PR5MEC12

#### HS CODE

73269098

#### HTS CODE

7326.90.98

For more information on all available packaging options – please contact us directly.

# TRM240 SPATIAL MEASUREMENTS & WEIGHT

## MAIN MEASUREMENTS

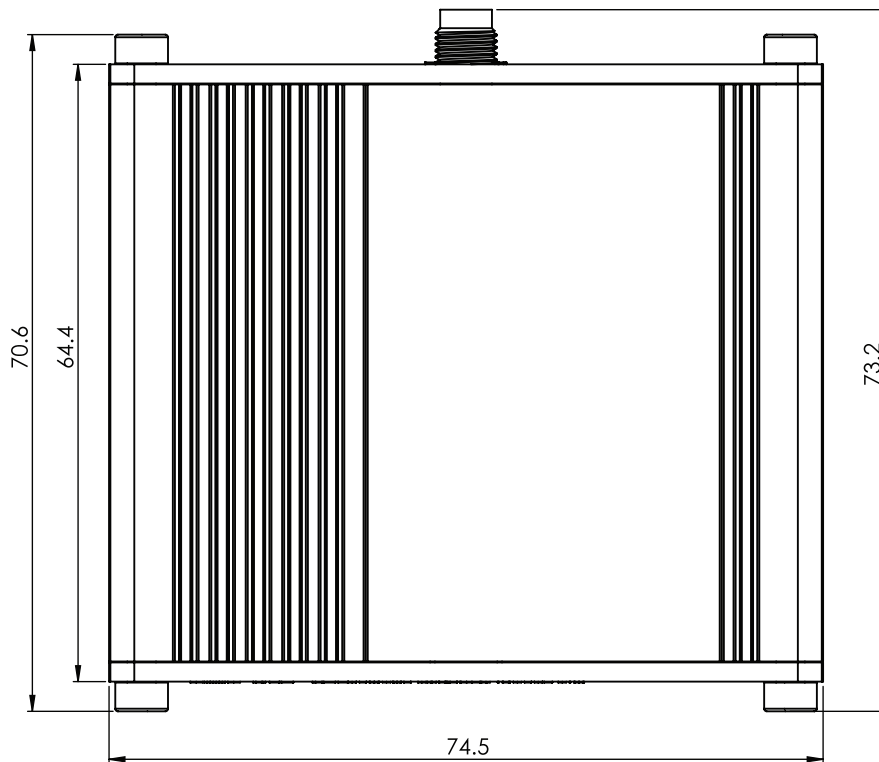
W x H x D dimensions for TRM240:

Device housing*:	74.5 x 25 x 64.5
Box:	173 x 71 x 148

\*Housing measurements are presented without antenna connectors and screws; for measurements of other device elements look to the sections below.

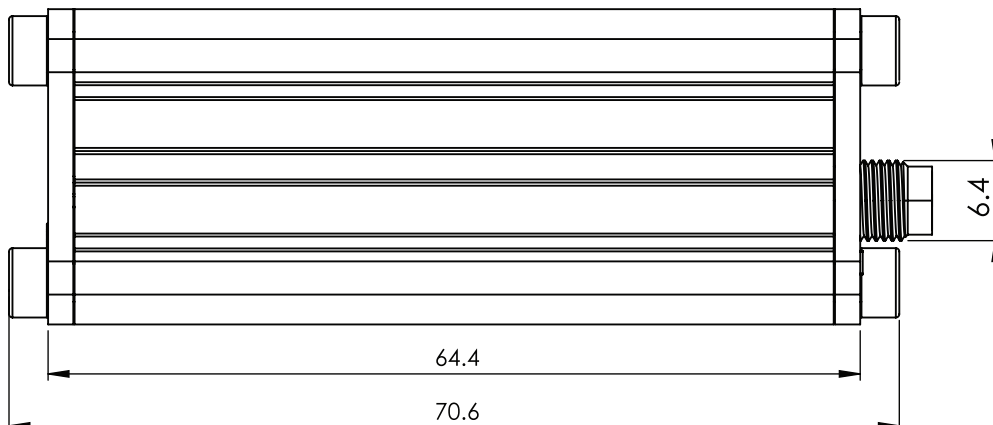
## TOP VIEW

The figure below depicts the measurements of TRM240 and its components as seen from the top:



## RIGHT VIEW

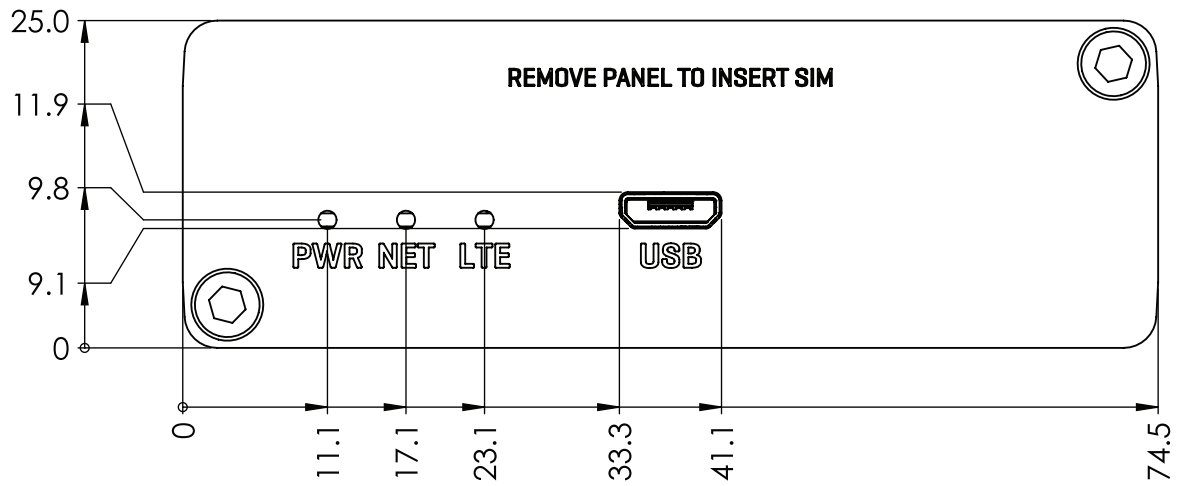
The figure below depicts the measurements of TRM240 and its components as seen from the right side:





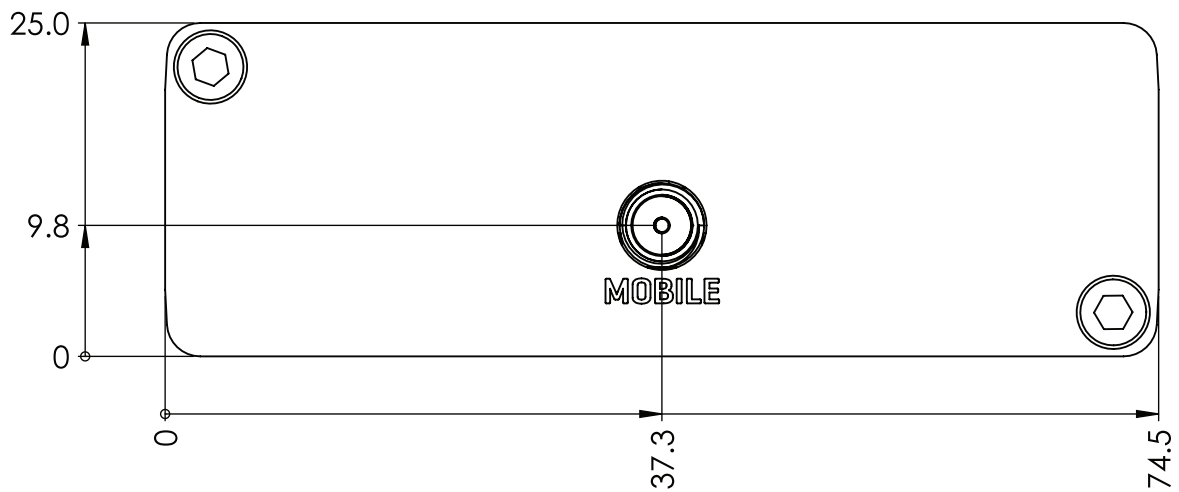
**FRONT VIEW**

The figure below depicts the measurements of TRM240 and its components as seen from the front panel side:



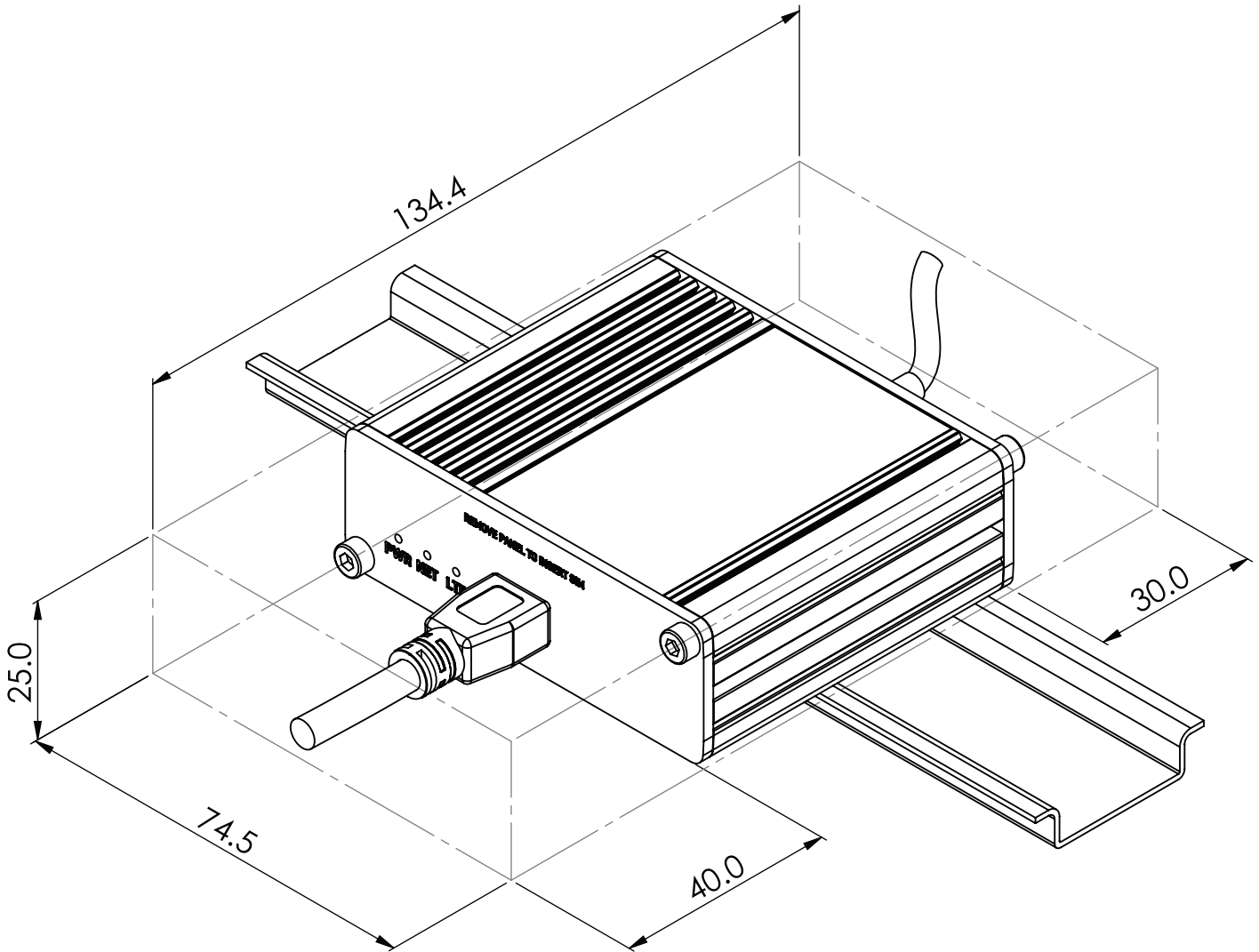
**REAR VIEW**

The figure below depicts the measurements of TRM240 and its components as seen from the back panel side:



**MOUNTING SPACE REQUIREMENTS**

The figure below depicts an approximation of the device's dimensions when cables and antennas are attached:



DIN RAIL

The scheme below depicts protrusion measurements of an attached DIN Rail:

